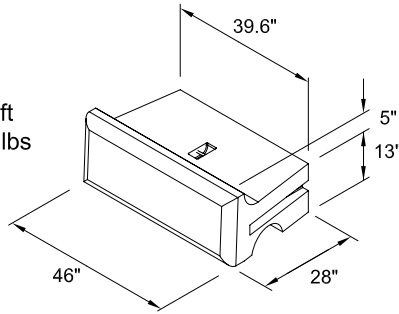


41" Series Blocks

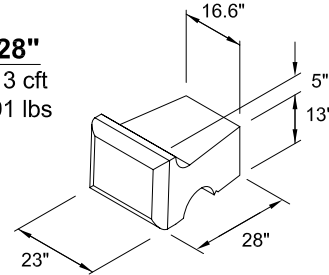
Top - 28"

Volume = 8.55 cft
Weight = ±1223 lbs
C of G = 15.06"



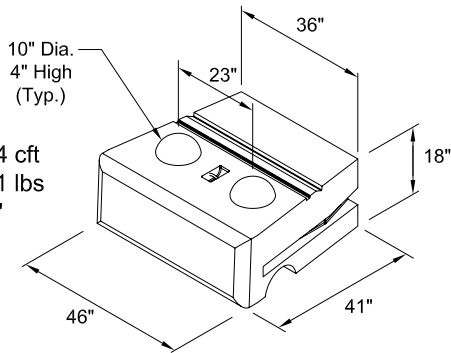
Half Top - 28"

Volume = 4.13 cft
Weight = ±591 lbs



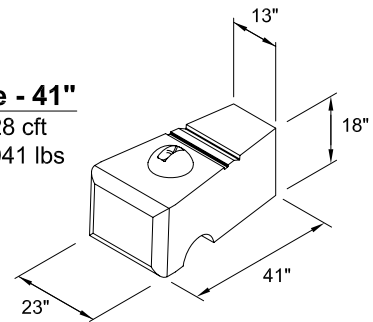
Middle - 41"

Volume = 16.44 cft
Weight = ±2351 lbs
C of G = 20.92"



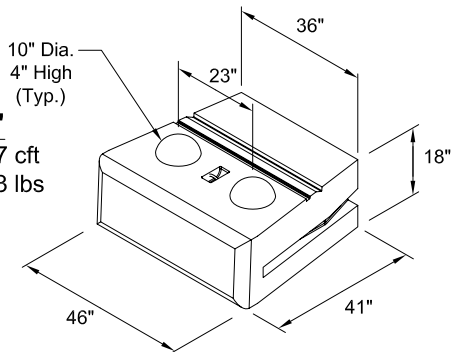
Half Middle - 41"

Volume = 7.28 cft
Weight = ±1041 lbs



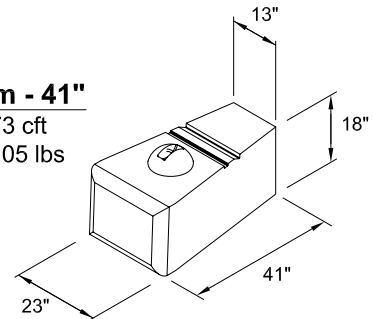
Bottom - 41"

Volume = 17.37 cft
Weight = ±2483 lbs
C of G = 21.3"



Half Bottom - 41"

Volume = 7.73 cft
Weight = ±1105 lbs



NOTES:

Volume and Center of Gravity (C of G) calculations are based on the blocks as shown.

Center of Gravity is measured from the back of the block.

Half blocks include a fork lift slot on one side.

Actual weights and volumes will may vary.

Weight shown is based on 143 pcf concrete.

DRAWN BY J. JOHNSON	12/28/06	Redi-Rock® International, LLC	
CHECKED BY			
APPROVED BY		DRAWING FILE 41in Series Blocks.dwg	REVISION ---
ISSUE DATE		SCALE NO SCALE	SHEET NO. 1 OF 1